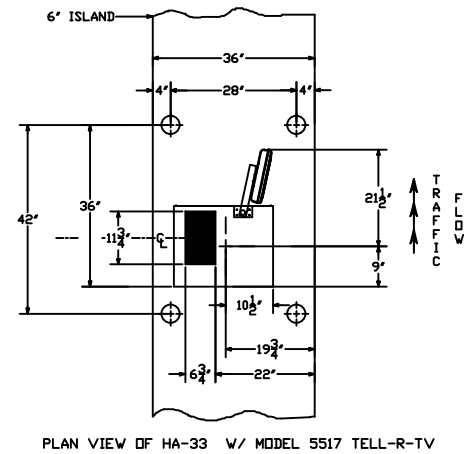
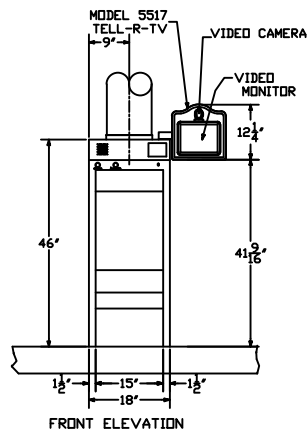
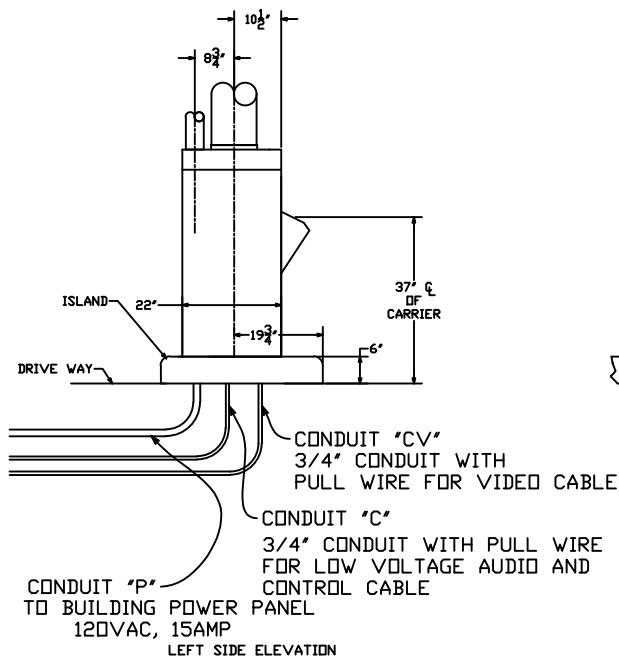
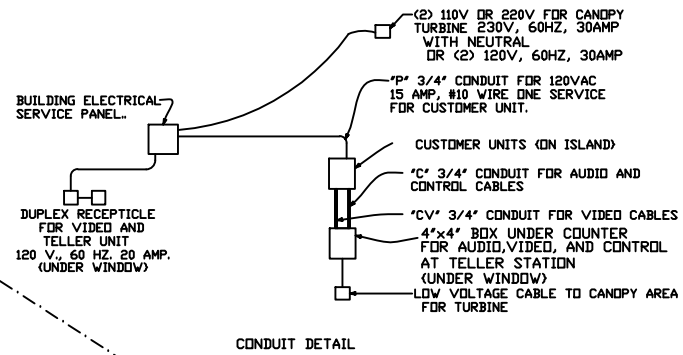
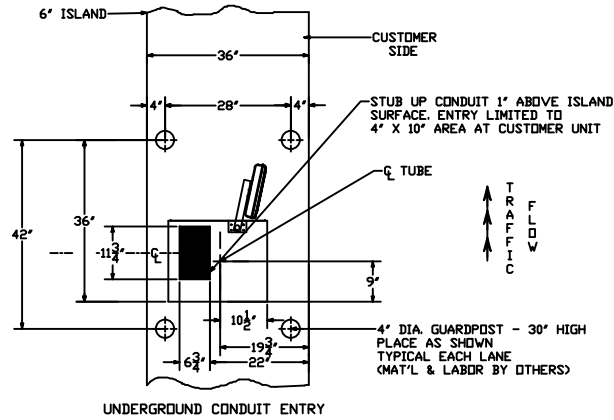


REV-1	DATE: 5/16/11	Revised Unit Height
REV-2	DATE: 3/5/12	Corrected Set Back/Island Width
REV-3	DATE:	



NOTE: REFER TO DRAWING No 99-719 FOR GENERAL SPECIFICATIONS.

est. 1967

HAMILTON

CUSTOM MADE SECURITY

PROPRIETARY AND CONFIDENTIAL
THESE DRAWINGS ARE THE PROPERTY
OF HAMILTON SAFE CO. AND SHALL
NOT BE REPRODUCED, COPIED, USED
AS THE BASIS FOR MANUFACTURE OR
SALE OF APPARATUS WITHOUT
PERMISSION

DESCRIPTION

MODEL HA-33
UPSEND CUSTOMER UNIT (10" TUBE SYSTEM)
WITH MODEL 5517 TELL-R-TV

DRAWING/MODEL NUMBER	DATE
99-926	10/08/2021